



BREYER

extrusion lines

BREYER SERVICES
UPGRADE

NEWS



With the modern and compact CMG drive you can ensure the high efficiency of your system today and in the future, as well.

Retrofit now!

The new BREYER CMG drives Innovation is our drive.

BREYER represents quality over a span of decades. You should, however, consider maintaining production reliability for several years and decades because continuous and reliable production is what will bring you ahead in the future as well.

The new BREYER CMG drives – a guarantee for reliable production.

The new BREYER CMG drives with water cooling deliver decisive advantages: With a CMG drive the efficiency of your system immediately increases, and the space-saving construction leaves more space for your operational layout. You can conveniently remove the barrel extruder from the front or back for cleaning. The drives are available for all output ranges and we seamlessly

integrate them into your existing control. The easy procurement of spare parts guarantees system availability, and the especially silent running of the drive has a positive impact on personnel.

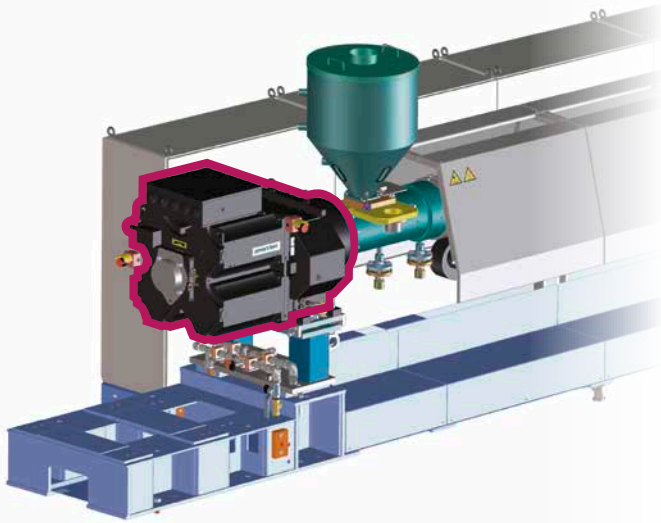
Minimum effort, maximum success.

To retrofit your system, all you need is our CMG compact extruder drive, a frequency converter for the control cabinet including accessories, a connection cable and a drive console.

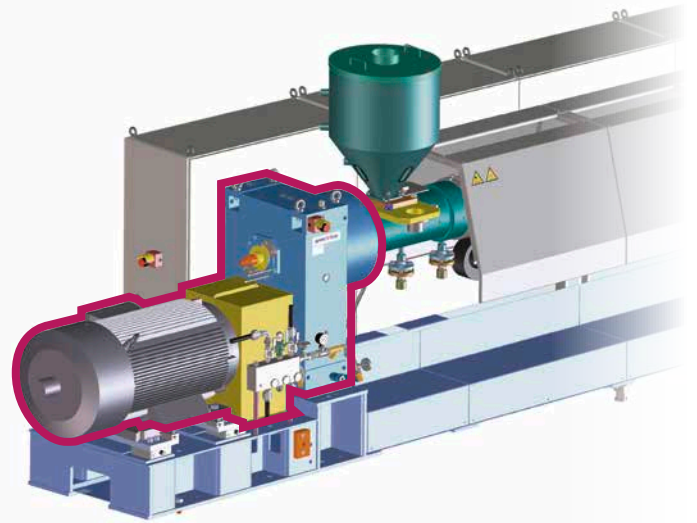


YOUR BENEFITS

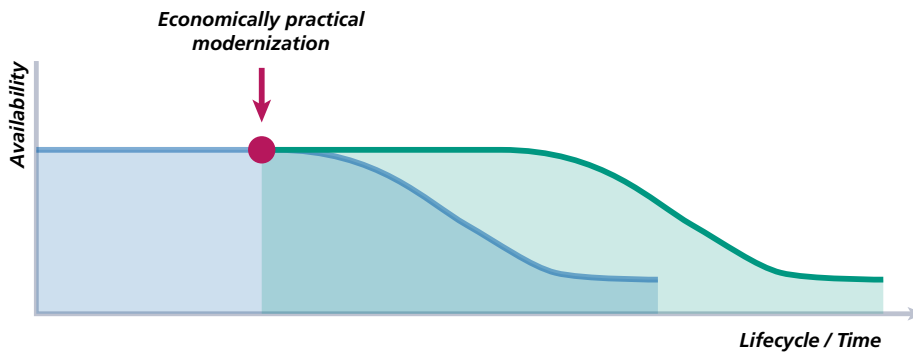
- Failsafe performance of your production
- Higher efficiency and increase of system availability
- Lower energy consumption
- Compact, space-saving construction
- Extremely quiet running
- Easy spare part availability
- Retrofitting time: approx. 1 week



Space-saving new CMG drive



Old drive technology



**The market never stands still.
Don't lag behind.**

Think ahead: with the new technology you can prevent production downtime and thus sustainably secure the high quality of your investment.

We will gladly help you move forward – just contact us!

Technical features

- Available for all performance ranges
- Barrel extruder can be moved to the front and back
- Integrated gear
- High efficiency of drive
- Brushless low-maintenance drive
- Efficient cooling

Our services

- Mechanical and electrical construction
- Drive layout
- Integration into existing control
- Documentation



Services

Upgrades

Spare parts

BREYER
extrusion lines

BREYER GmbH Maschinenfabrik
Bohlinger Straße 27
D-78224 Singen
Tel. +49 (0) 77 31 920-0
Fax +49 (0) 77 31 920-190
www.breyer-extr.com

We will be happy to assist you if you require more information:



Joachim Schwarz
T +49 (0)7731 / 920-441
F +49 (0) 7731 920-410
joachim.schwarz@breyer-extr.com



Franz Stöckle
T +49 (0)7731 920-176
F +49 (0) 7731 920-410
franz.stoeckle@breyer-extr.com